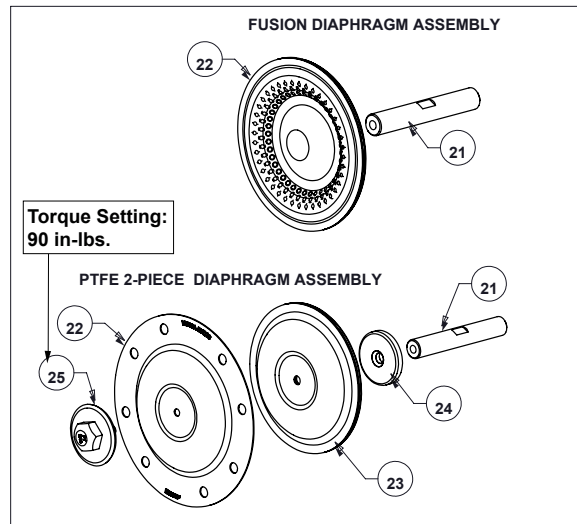
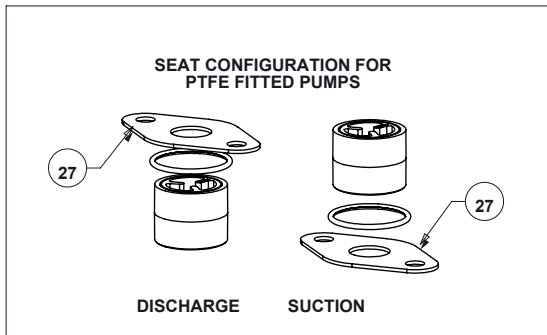
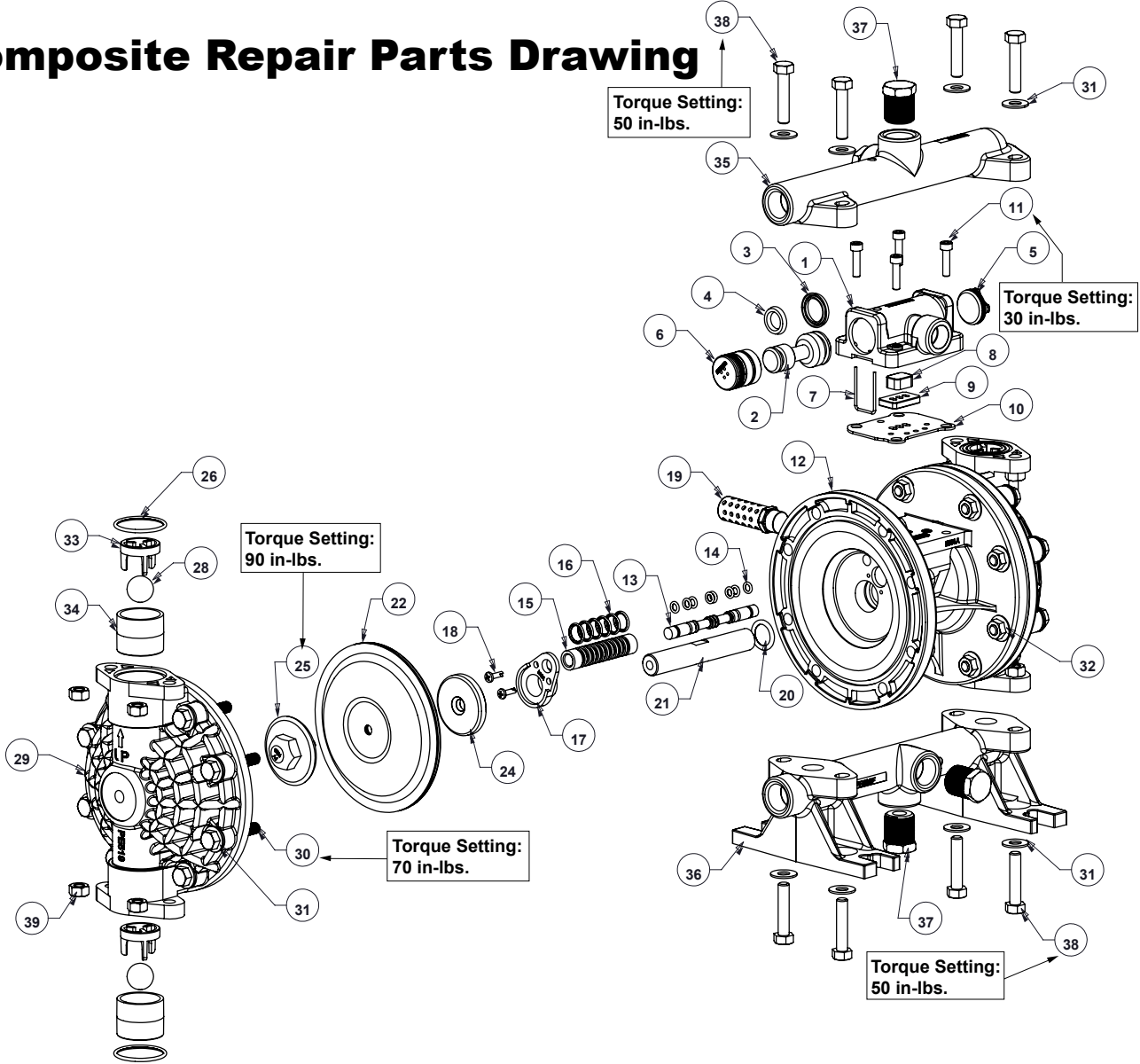


Composite Repair Parts Drawing



3: EXP VIEW