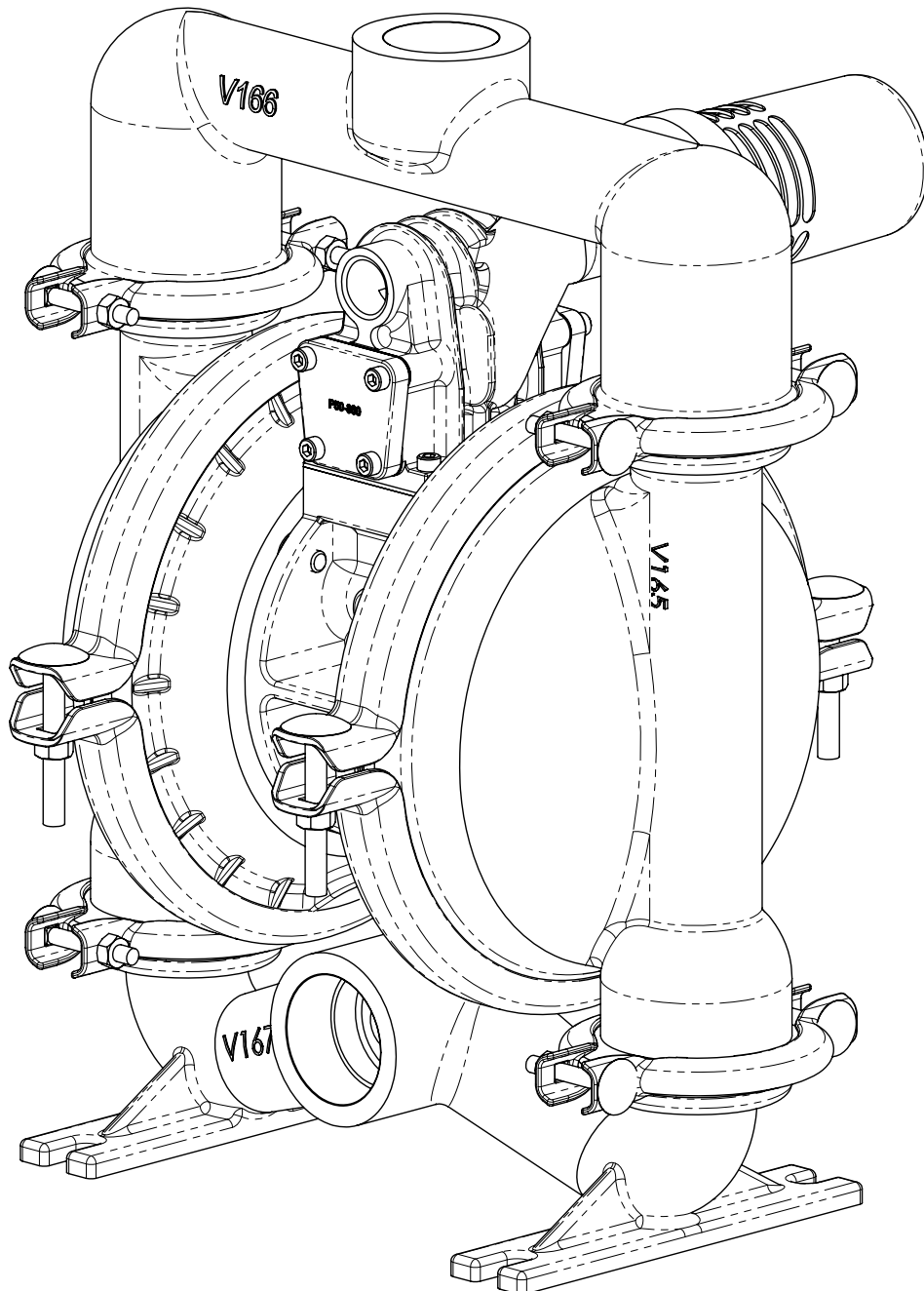


1 1/2" Elima-Matic Clamped Metallic
with Metallic Center Section

E4

E4 Metallic Pumps

- Aluminum
- Cast Iron
- Stainless Steel



1: PUMP SPECS

2: INSTAL & OP

3: EXP VIEW

4: WARRANTY

Performance

E4 1 1/4" Clamped Pump ELASTOMERIC AND TPE FITTED

Flow Rate

Adjustable to 0-71 gpm (268 lpm)

Port Size

Suction 1 1/2" NPT

Discharge 1 1/4" NPT

Air Inlet 1/2" NPT

Air Exhaust 3/4" NPT

Suction Lift

Dry 19' (5.8 m)

Wet 31' (9.4 m)

Max Solid Size (Diameter)

..... 3/16" (4.76 mm)

Max Noise Level 101 dB(A)

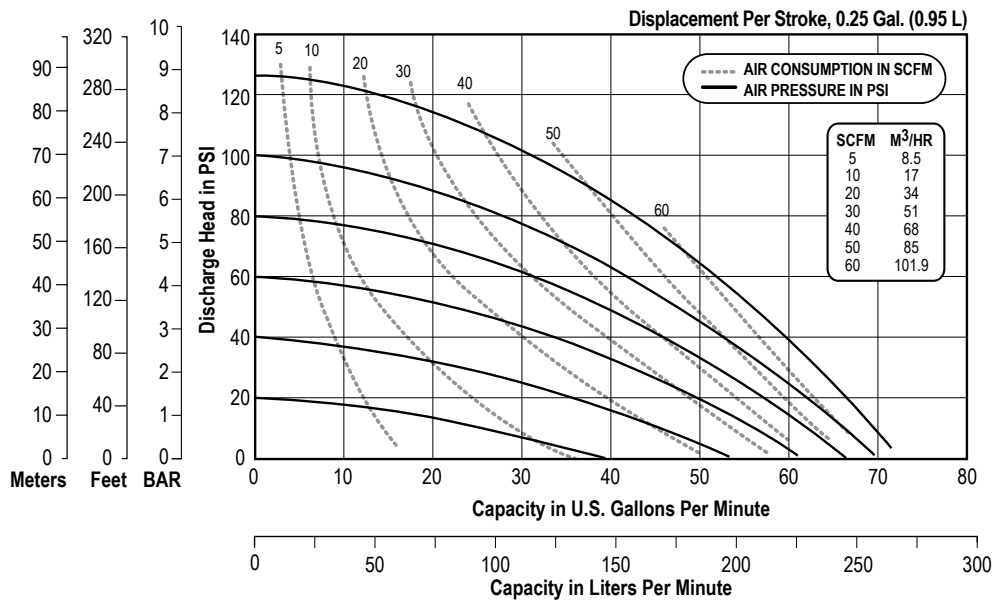
Shipping Weights

Aluminum 55 lbs (25 kg)

Cast Iron 95 lbs (43 kg)

Stainless Steel 92 lbs (42 kg)

1: PUMP SPECS



NOTE: Performance based on the following: elastomeric fitted pump, flooded suction, water at ambient conditions. The use of other materials and varying hydraulic conditions may result in deviations in excess of 5%.

E4 1 1/4" Clamped Pump PTFE Fitted

Flow Rate

Adjustable to 0-64 gpm (242.3 lpm)

Port Size

Suction 1 1/2" NPT

Discharge 1 1/4" NPT

Air Inlet 1/2" NPT

Air Exhaust 3/4" NPT

Suction Lift

Dry 12' (3.7 m)

Wet 29' (8.8 m)

Max Solid Size (Diameter)

..... 3/16" (4.76 mm)

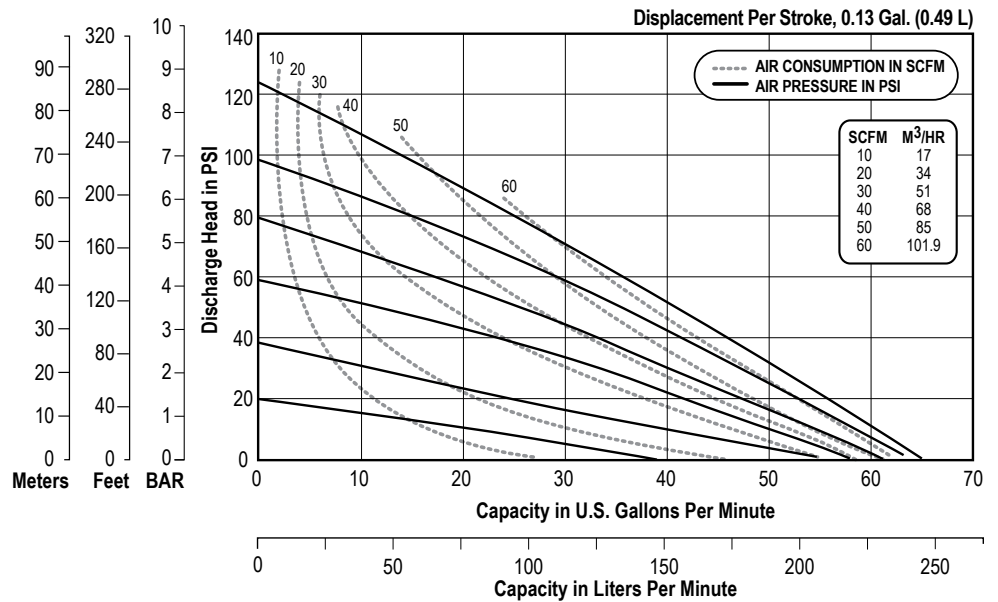
Max Noise Level 98 dB(A)

Shipping Weights

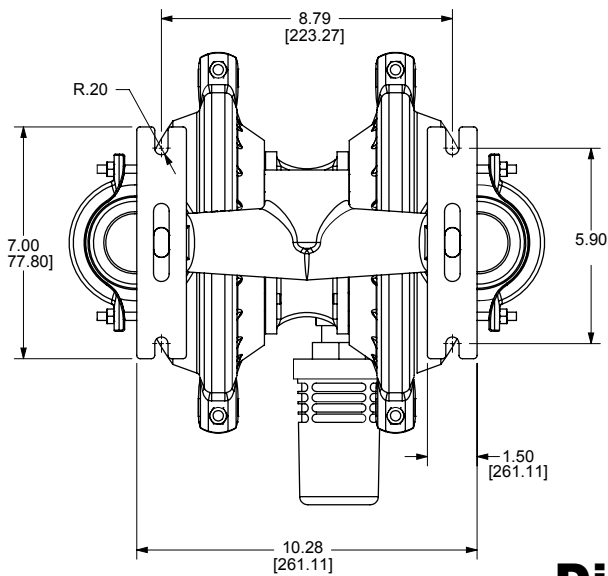
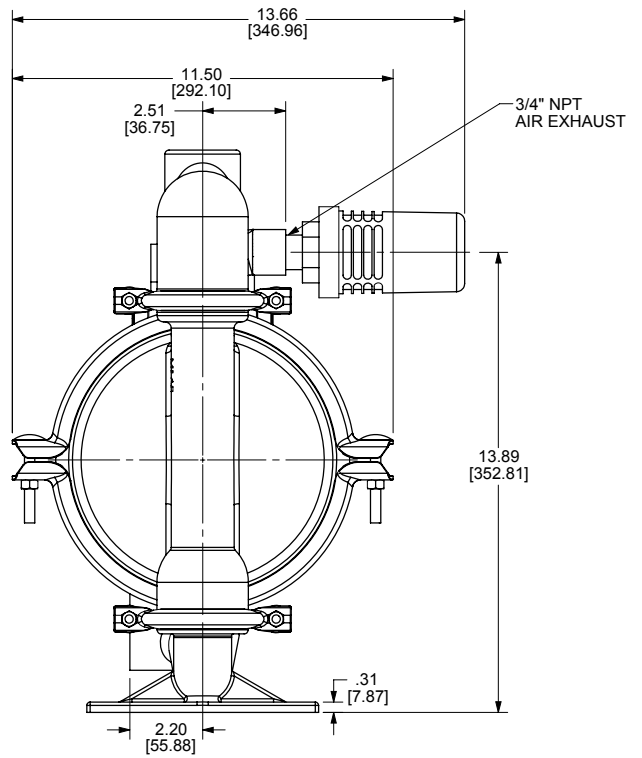
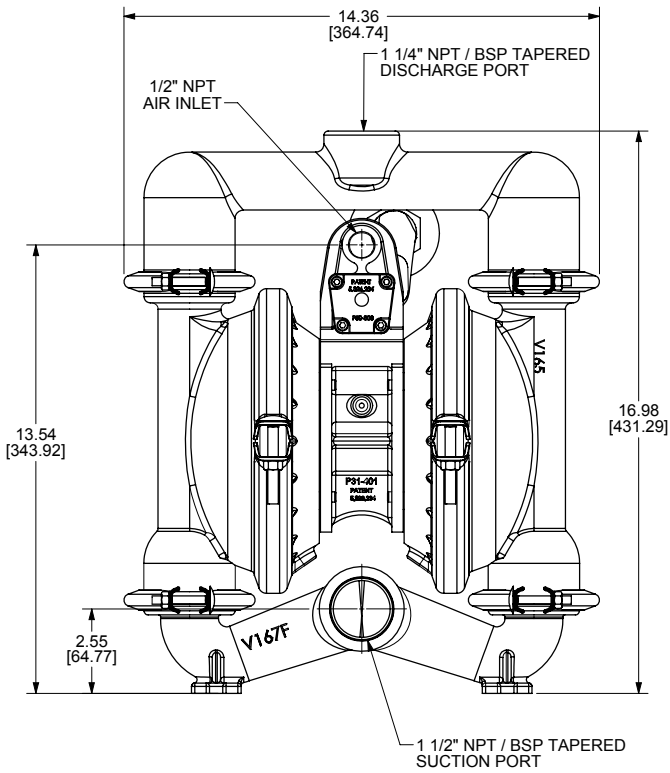
Aluminum 55 lbs (25 kg)

Cast Iron 95 lbs (43 kg)

Stainless Steel 92 lbs (42 kg)



NOTE: Performance based on the following: PTFE fitted pump, flooded suction, water at ambient conditions. The use of other materials and varying hydraulic conditions may result in deviations in excess of 5%.



BOTTOM VIEW

Dimensional Drawings

E4 Metallic Clamped - Aluminum

Dimensions in inches (metric dimensions in brackets)

The dimensions on this drawing are for reference only. A certified drawing can be requested if physical dimensions are needed.

Composite Repair Parts Drawing

