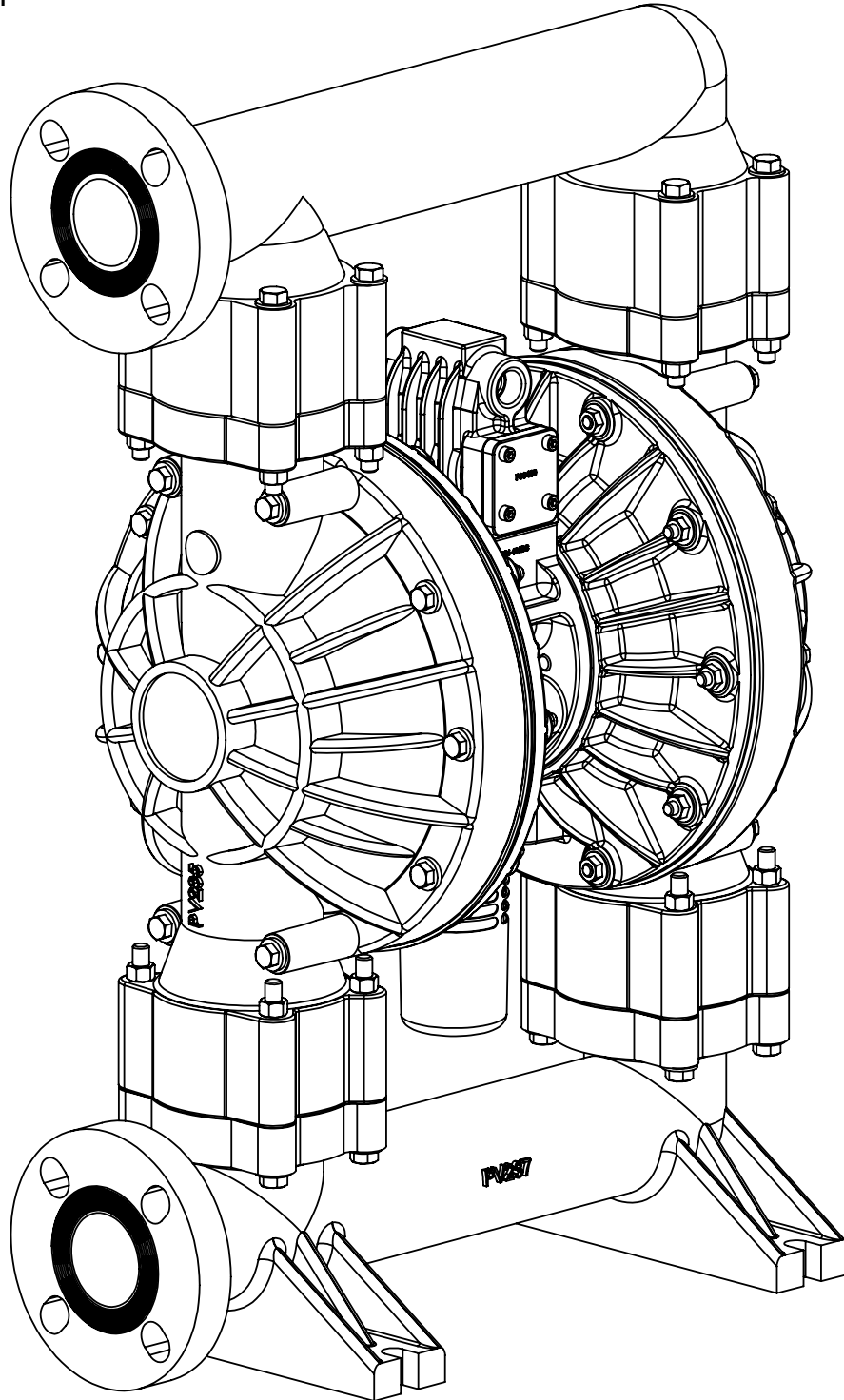


2" Elima-Matic Bolted Non-Metallic
with Metallic Center Section

E2

E2 Non-Metallic Pumps

- Polypropylene
- PVDF



Performance

E2 - 2" Non-Metallic Bolted Pump – Metallic Center ELASTOMERIC AND TPE FITTED - Domed

Flow Rate

Adjustable to 0-177 gpm (670 lpm)

Port Size

Suction 2" ANSI, 150 Class (DIN 50)

Discharge 2" ANSI, 150 Class (DIN 50)

Air Inlet 1/2" NPT

Air Exhaust 1" NPT

Suction Lift

Dry 16' (4.9 m)

Wet 32' (9.8 m)

Max Solid Size (Diameter)

. 1/4" (6.3 mm)

Max Noise Level 96 dB(A)

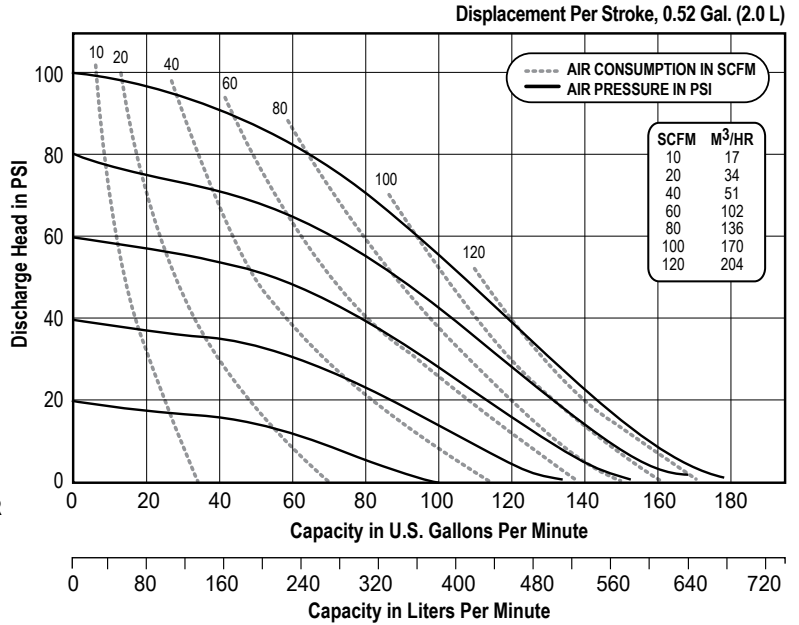
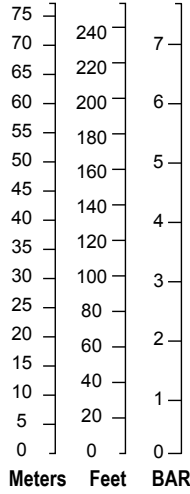
Shipping Weights

Polypropylene 69 lbs (31.3 kg)

w/ center port options 73 lbs (33.1 kg)

PVDF 93 lbs (42.2 kg)

w/ center port options 100 lbs (45.4 kg)



NOTE: Performance based on the following: elastomeric fitted pump, flooded suction, water at ambient conditions. The use of other materials and varying hydraulic conditions may result in deviations in excess of 5%.

E2 - 2" Non-Metallic Bolted Pump – Metallic Center PTFE FITTED

Flow Rate

Adjustable to 0-145 gpm (549 lpm)

Port Size

Suction 2" ANSI, 150 Class (DIN 50)

Discharge 2" ANSI, 150 Class (DIN 50)

Air Inlet 1/2" NPT

Air Exhaust 1" NPT

Suction Lift

Dry 8' (2.4 m)

Wet 30' (9.1 m)

Max Solid Size (Diameter)

. 1/4" (6.3 mm)

Max Noise Level 99 dB(A)

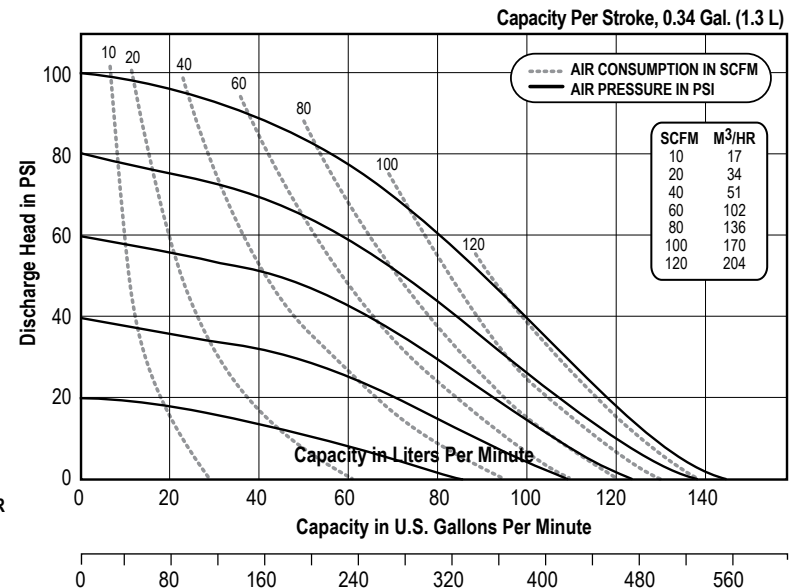
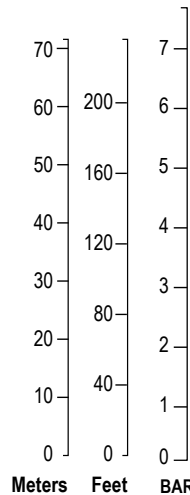
Shipping Weights

Polypropylene 69 lbs (31.3 kg)

w/ center port options 73 lbs (33.1 kg)

PVDF 93 lbs (42.2 kg)

w/ center port options 100 lbs (45.4 kg)



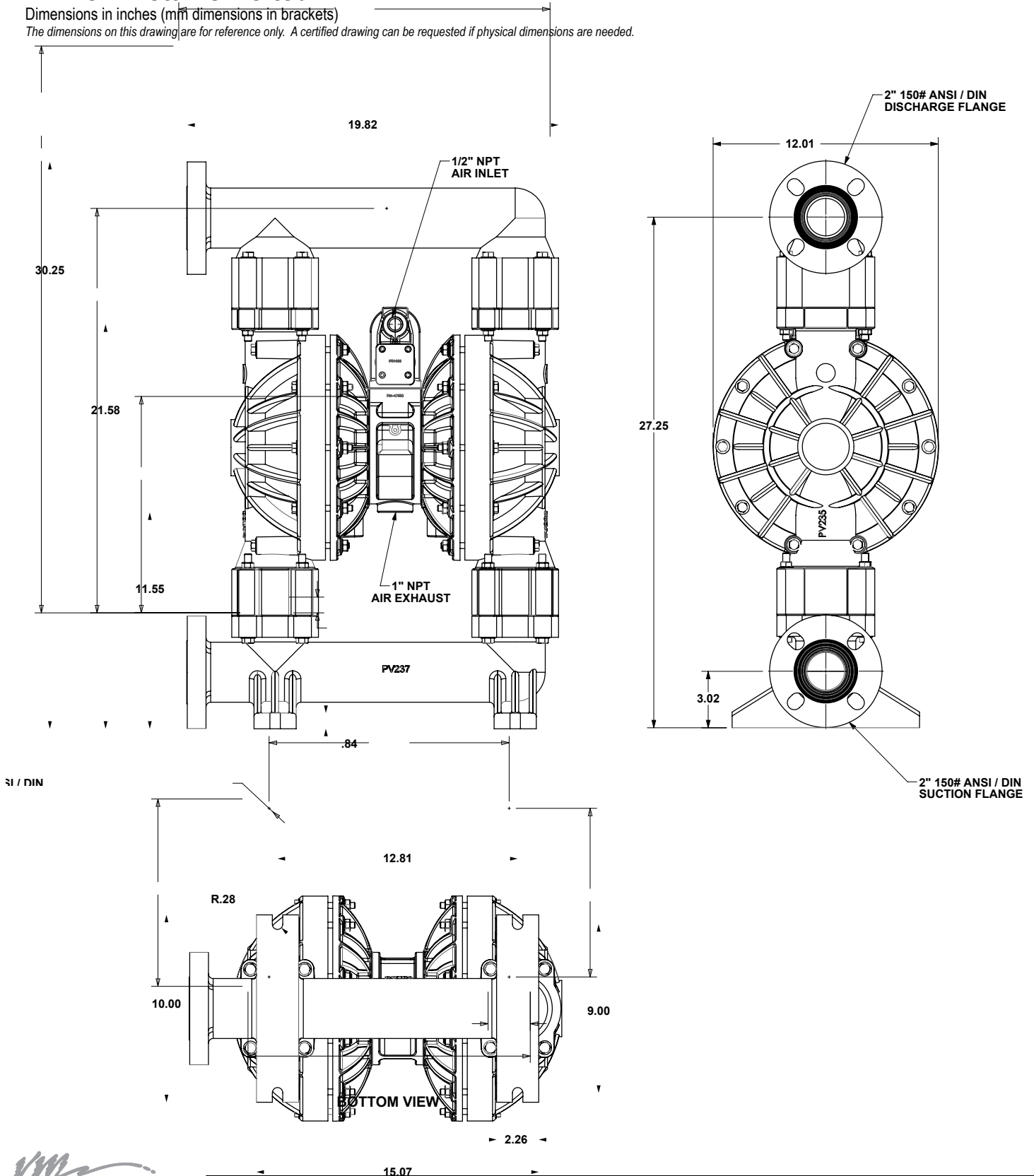
NOTE: Performance based on the following: elastomeric fitted pump, flooded suction, water at ambient conditions. The use of other materials and varying hydraulic conditions may result in deviations in excess of 5%.

Dimensional Drawings

E2 Non-Metallic Bolted

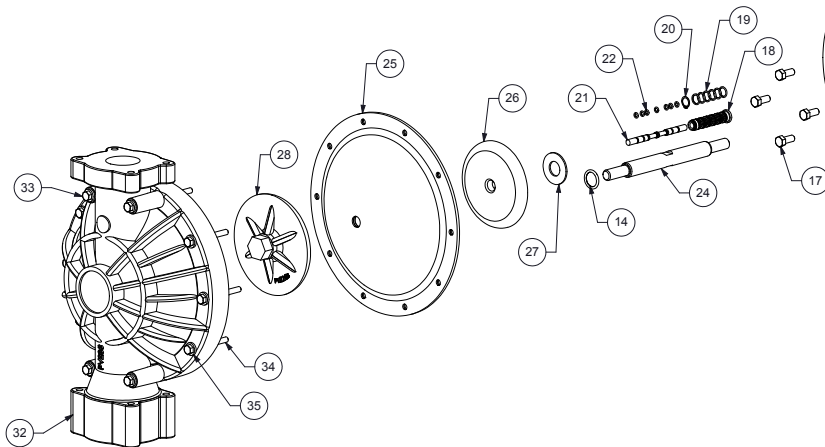
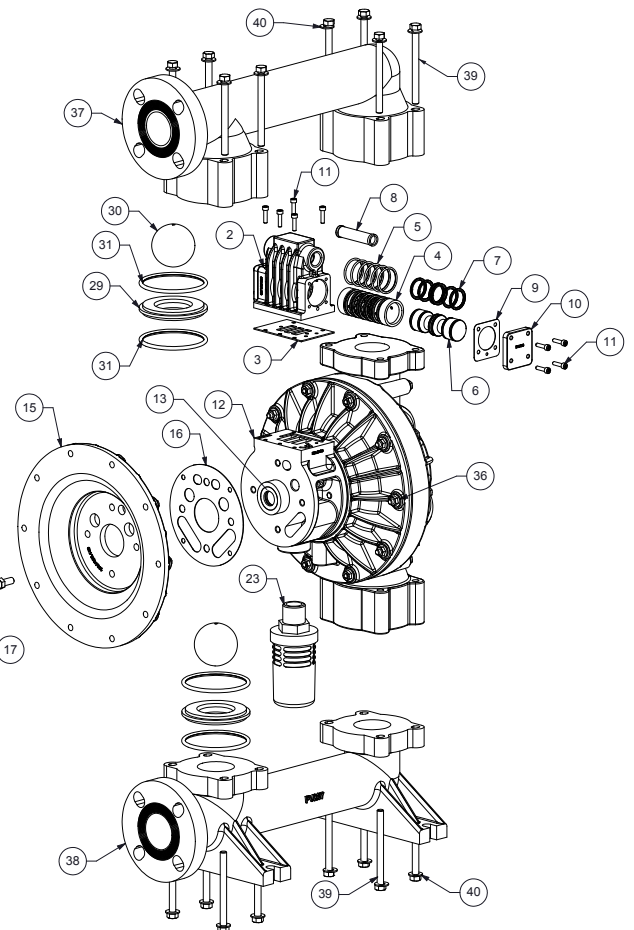
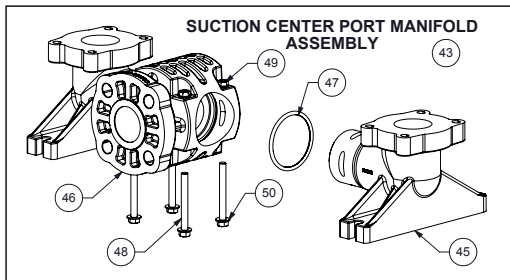
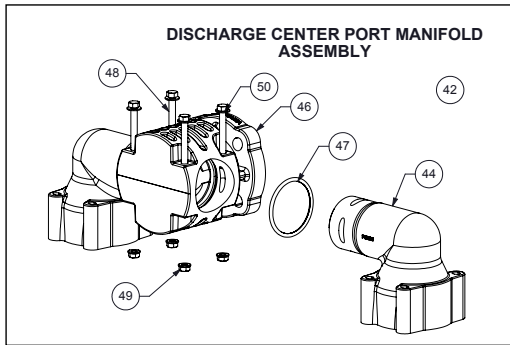
Dimensions in inches (mm dimensions in brackets)

The dimensions on this drawing are for reference only. A certified drawing can be requested if physical dimensions are needed.



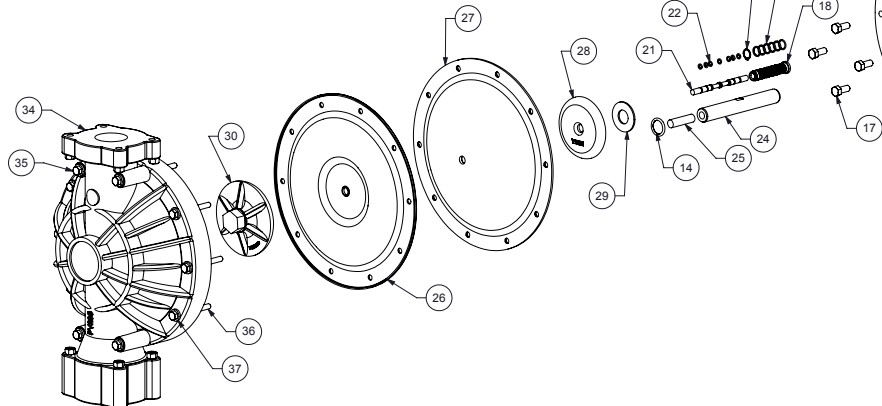
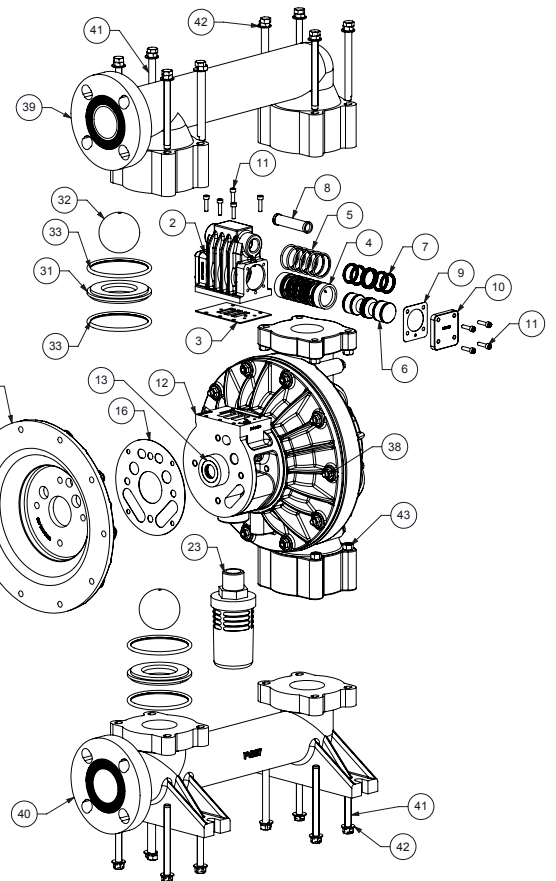
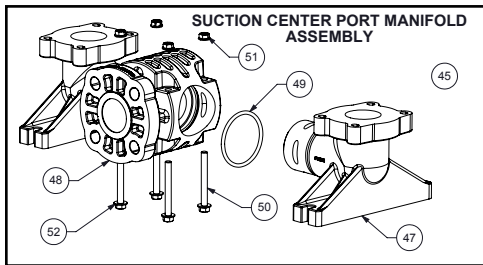
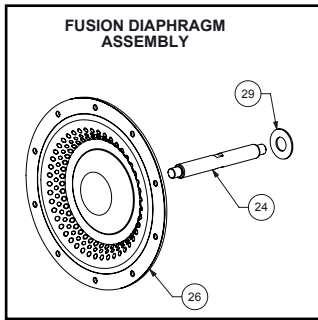
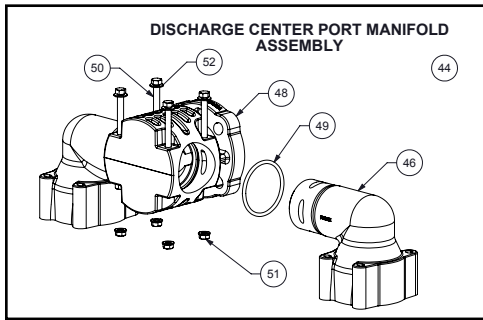
1: PUMP SPECS

Composite Repair Parts Drawing - Elastomeric and TPE Fitted



3: EXP VIEW

Composite Repair Parts Drawing - PTFE Fitted



3: EXP VIEW